

WHAT TO LOOK FOR IN A PRE-FABRICATED STEEL SHEAR WALL SYSTEM

ELECTRICAL ACCESS

3/4 inch holes with grommets for running electrical wiring are provided at upper and lower area of Panels.

STRENGTH, STIFFNESS & DUCTILITY

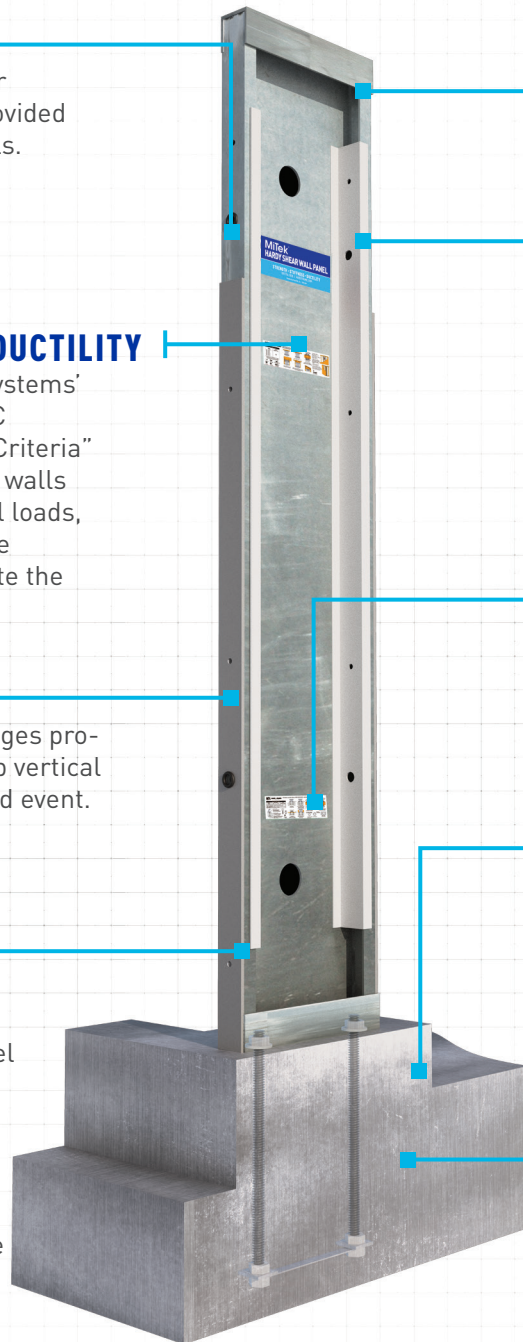
The Hardy Frame® Shear Wall Systems' proprietary design meets the ICC Evaluation Service "Acceptance Criteria" (AC322) for pre-fabricated shear walls with the strength to resist lateral loads, stiffness to reduce damage to the structure and ductility to dissipate the energy of an earthquake.

RESERVE CAPACITY

Steel "stiffeners" at the Panel edges provide a reserve capacity to hold up vertical loads after a seismic or high wind event.

WIDTH

The 9 inch wide Hardy Frame® is the narrowest pre-fabricated shear Panel in the industry. Panel widths include 9, 12, 15, 18, 21 and 24-inches. For architectural designs that maximize openings choose Hardy Frame® Panels to resist earthquake and wind forces with the highest allowable loads in the industry.



CUSTOM HEIGHTS

For non-standard wall heights choose a shear wall system that offers custom height manufacturing.

PANEL SHAPE

Look for the steel Shear Panel that is a C-shape. The cavity of the C-shape can be used to recess fixtures like porch lights and sockets, install wood backing and can be insulated. Hardy Frame® Panels are the only C-shape shear wall system in the industry.

INSTALLATION INSTRUCTIONS

Labels provide illustrated instructions for top and bottom connections that won't get lost or separated from the Panel.

MULTIPLE APPLICATIONS

Hardy Frame® Shear Wall Systems have multiple applications. Panels can be installed on concrete, on wood floor systems or stacked floor to floor by combining the Panel with the appropriate Hardy Frame® accessory.

ECONOMICAL OPTIONS

Shear walls that require high-strength anchors regardless of the design load drive up material cost. Hardy Frame® Panels provide allowable loads for both standard and high strength anchors.