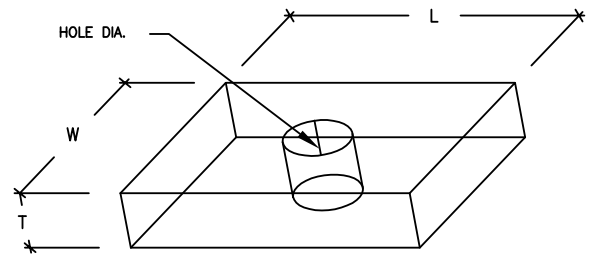


CINCH NUT (CNX) INSTALLATION

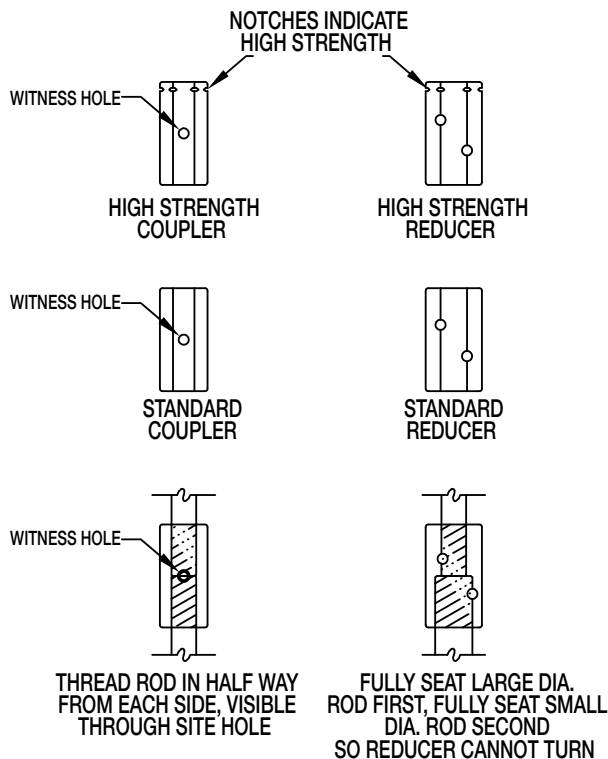
C 1

MIN. WALL THICKNESS	BEARING PLATE WASHER (BPW)				
	MODEL NUMBER	COLOR	WIDTH x LENGTH (W x L)	THICKNESS (T)	HOLE DIA.
4"	BPW5	BROWN	3 x 3	1/4	1-5/16
	BPW6	RED	3-1/4 x 3-3/8	3/8	
	BPW7	YELLOW	3-1/4 x 4-3/8	1/2	
	BPW9	GREEN	3-1/4 x 5	5/8	
	BPW11	BLUE	3-1/4 x 5-7/8	3/4	
	BPW15	BLACK	3-1/4 x 7-7/8	7/8	
	BPW20	WHITE	3-1/4 x 10-1/4	1-1/4	
	BPW25	ORANGE	3-1/2 x 11-3/4	1-1/2	
	BPW30	LT GREY	3-1/2 x 14	1-3/4	
	6"	BPW17-6	LT BLUE	5 x 5-7/8	
BPW27-6		TAN	5 x 9	1	
BPW36-6		GREY	5 x 12	1-1/2	
BPW43-6		PURPLE	5 x 14	1-3/4	
BPW46-6		PINK	5 x 15	1-7/8	



BEARING PLATE WASHER (PW)

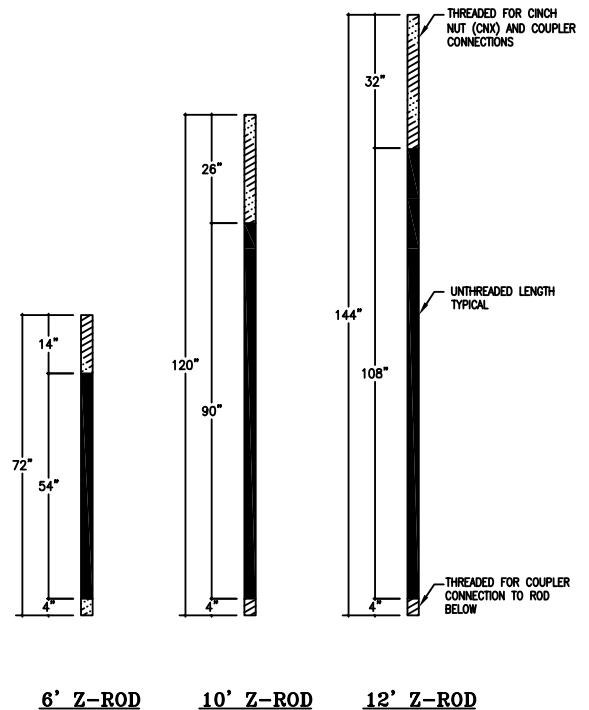
C 2



NOTE: ROD THREADS SHALL FULLY ENGAGE COUPLER

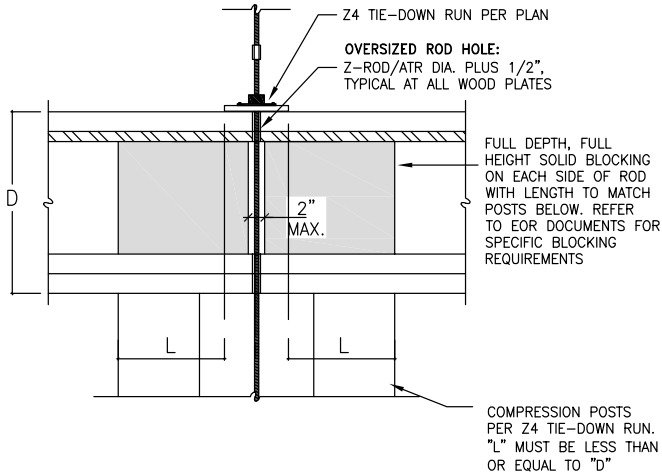
COUPLER NUT (CNW)

C 3



Z-ROD (ZR)

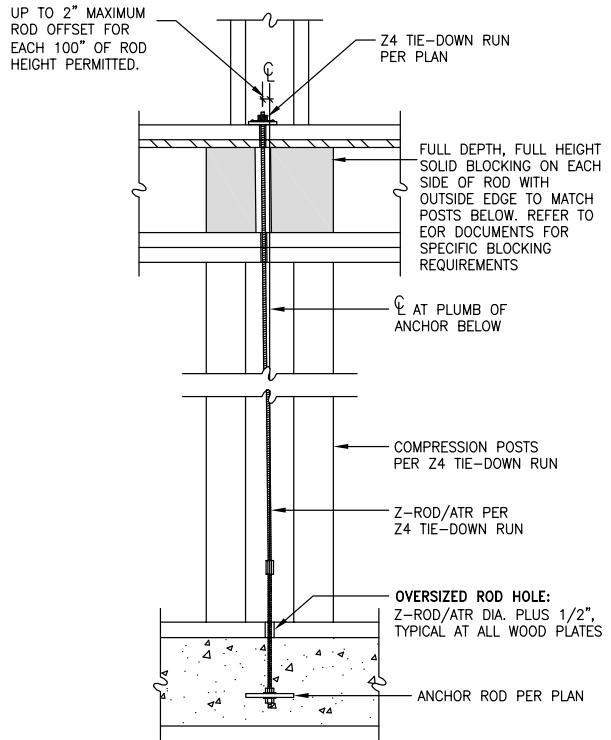
C 4



**NOTE:**  
 L = DISTANCE FROM EDGE OF BEARING PLATE WASHER TO OUTSIDE EDGE OF POSTS  
 D = DEPTH OF FLOOR SYSTEM

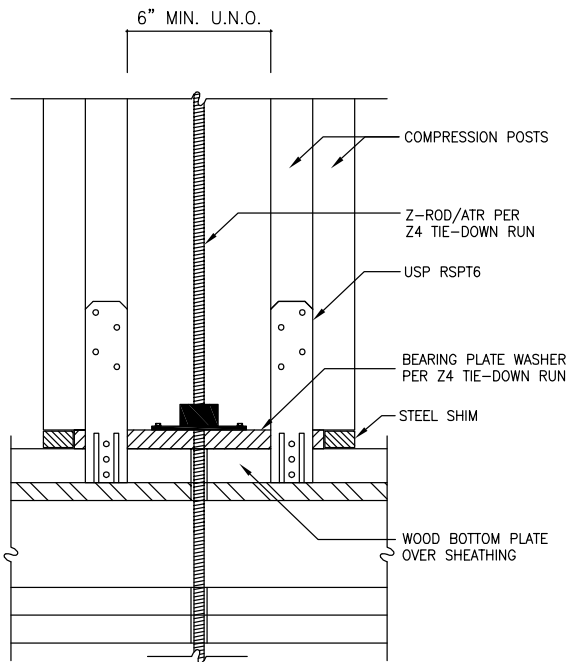
COMPRESSION POST LOCATION

C5



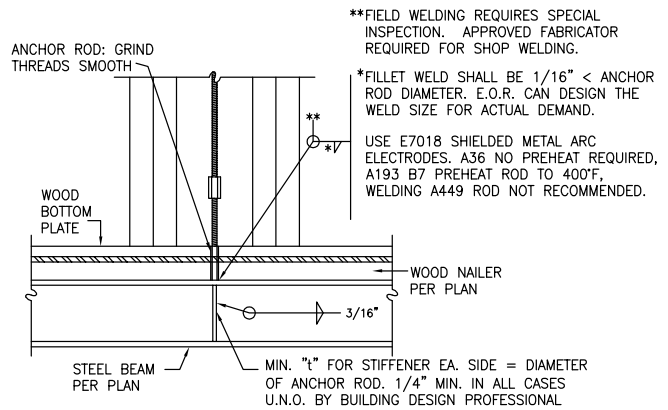
ALLOWABLE ROD OFFSET

C6

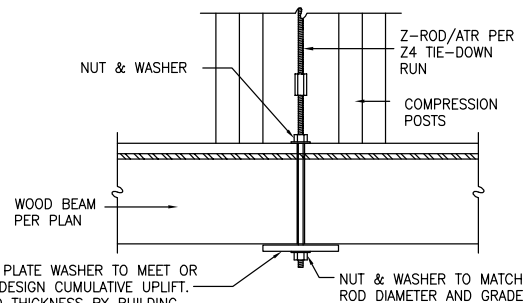


POSTS OVER BEARING PLATE WASHER

C7



TERMINATION AT STEEL BEAM



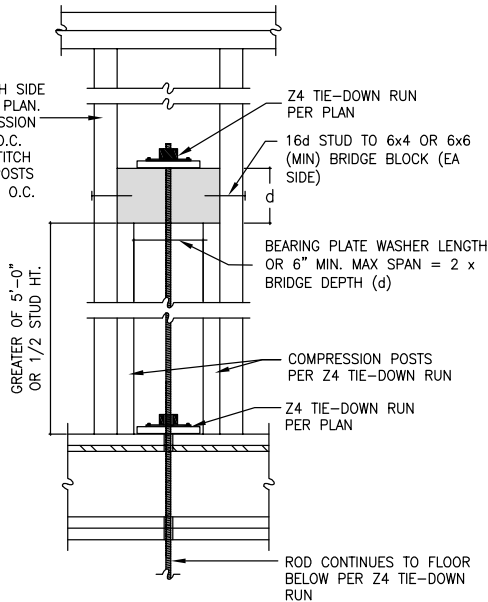
TERMINATION AT WOOD BEAM

ANCHOR @ BEAM

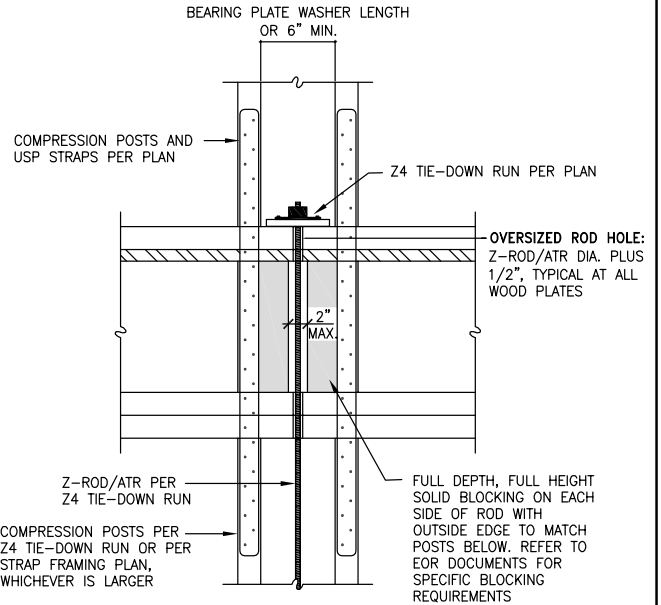
C8



FULL HT. 2x STUDS EACH SIDE WITH EDGE NAILING PER PLAN. STITCH NAIL TO COMPRESSION POSTS WITH 16d @ 6" O.C. WHEN STRAPS OCCUR STITCH NAIL TO COMPRESSION POSTS WITH 2 ROWS 16d @ 6" O.C. STAGGERED.



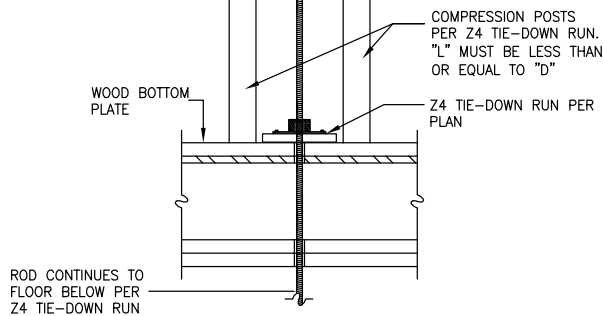
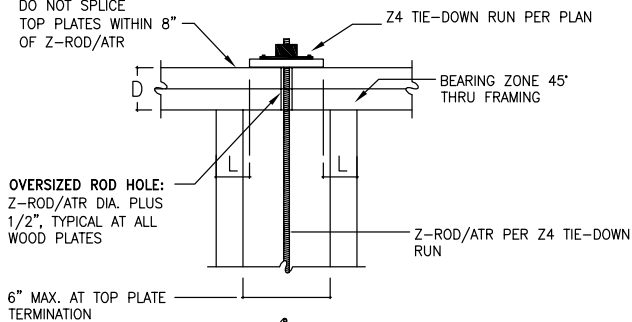
### BRIDGE TERMINATION OPTION

**C9**

### STRAP TERMINATION OPTION

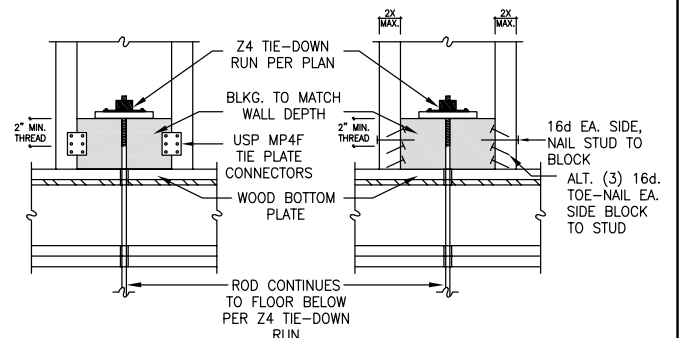
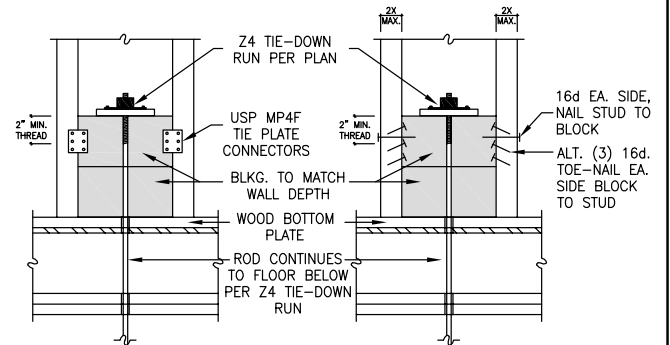
**C10**

DO NOT SPLICE TOP PLATES WITHIN 8" OF Z-ROD/ATR



**NOTE:**  
L = DISTANCE FROM EDGE OF BEARING PLATE WASHER TO OUTSIDE EDGE OF POSTS  
D = DEPTH OF HORIZONTAL FRAMING MEMBERS

### TOP PLATE TERMINATION OPTION

**C11**

### Z-ROD THREAD BLOCKING

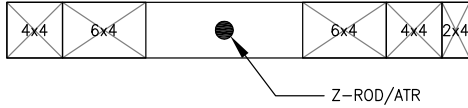
**C12**



SAMPLE COMPRESSION POST CALLOUT  
IN 4 INCH WALL FRAMING:

TOTAL 4x WOOD	
EACH SIDE	EITHER SIDE
6x4	4x4
	2x4

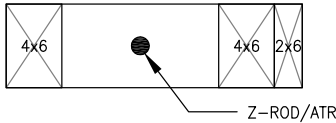
COMPRESSION POST LAYOUT



SAMPLE COMPRESSION POST CALLOUT  
IN 6 INCH WALL FRAMING:

TOTAL 6x WOOD	
EACH SIDE	EITHER SIDE
4x6	2x6

COMPRESSION POST LAYOUT



NOTES:

1. COMPRESSION POSTS PER Z4 ELEVATIONS OR BY E.O.R.
2. COMPRESSION POSTS MUST BE LOCATED WITHIN THE EXPANDED BEARING ZONE OF THE BEARING PLATE WASHER ABOVE. GAPS BETWEEN COMPRESSION POSTS PERMITTED.
3. ADJACENT FULL-HEIGHT SHEARWALL FRAMING MAY BE USED AS COMPRESSION POST PROVIDED THEY ARE LOCATED WITHIN THE EXPANDED BEARING ZONE OF THE BEARING PLATE WASHER ABOVE.

COMPRESSION POST LAYOUT

Details with built-up 2x4 and 2x6 member posts are also available

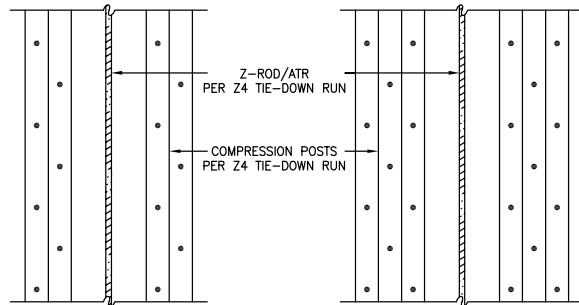
C13

COMPRESSION POST  
EDGE NAIL SCHEDULE

EN PER PLAN	EDGE NAIL SPACING TO ALL POSTS	
	2 POSTS	3+ POSTS
2" O.C.	4"	6"
3" O.C.	6"	9"
4" O.C.	8"	12"
6" O.C.	12"	12"

NOTE:  
FOR SINGLE POST EACH SIDE OF ROD,  
NAIL PER SHEARWALL SCHEDULE.

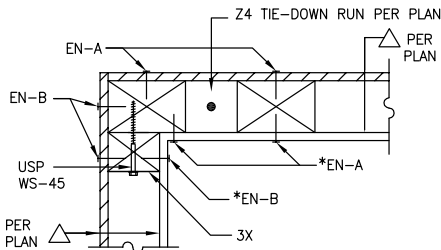
2 POSTS EACH SIDE OF Z-ROD/ATR      3 OR MORE POSTS EACH SIDE OF Z-ROD/ATR



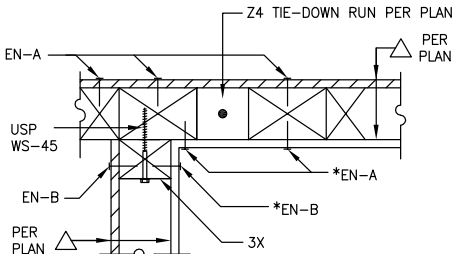
COMPRESSION POST EDGE NAILING

Details with built-up 2x4 and 2x6 member posts are also available

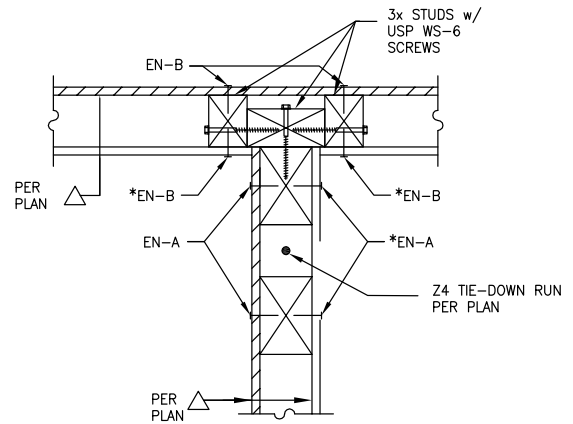
C14



EXTERIOR COMMON CORNER



INTERIOR COMMON CORNER AT OPENING



\* APPLIES WHEN WSP OCCURS

ATTACHMENT REQ. AT INTERSECTING WALL

WOOD STRUCTURAL PANEL (WSP) EN-B NAILING	USP WS-45 1/4"x4-1/2" OR EQUAL	
	WSP 1 SIDE	WSP 2 SIDES
8d or 10d at 4"o.c.	10"o.c.	5"o.c.
8d or 10d at 3"o.c.	7"o.c.	3 1/2"o.c.
8d or 10d at 2"o.c.	5"o.c.	2 1/2"o.c.

NOTE:  
1ST & 2ND LEVELS SHOWN  
(SEE SCHEDULE FOR COMPRESSION POSTS)

\* APPLIES WHEN WSP OCCURS

ATTACHMENT REQ. AT INTERSECTING WALL

WOOD STRUCTURAL PANEL (WSP) EN-B NAILING	USP WS-45 1/4"x4-1/2" OR EQUAL	
	WSP 1 SIDE	WSP 2 SIDES
8d or 10d at 4"o.c.	10"o.c.	5"o.c.
8d or 10d at 3"o.c.	7"o.c.	3 1/2"o.c.
8d or 10d at 2"o.c.	5"o.c.	2 1/2"o.c.

INSTALLATION @ COMMON CORNER

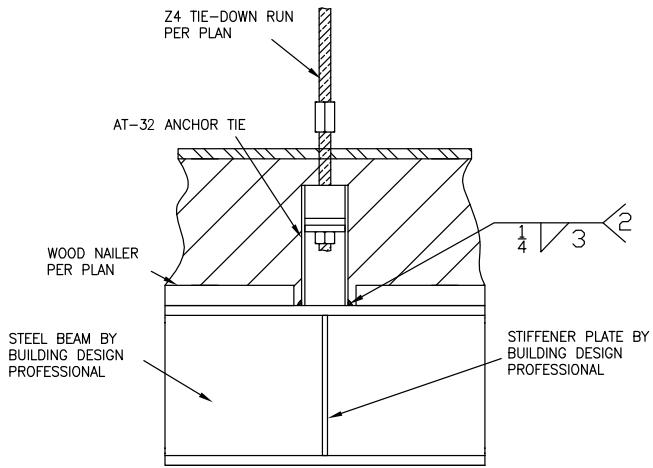
Details with built-up 2x4 and 2x6 member posts are also available

C15

INSTALLATION @ INTERSECTION

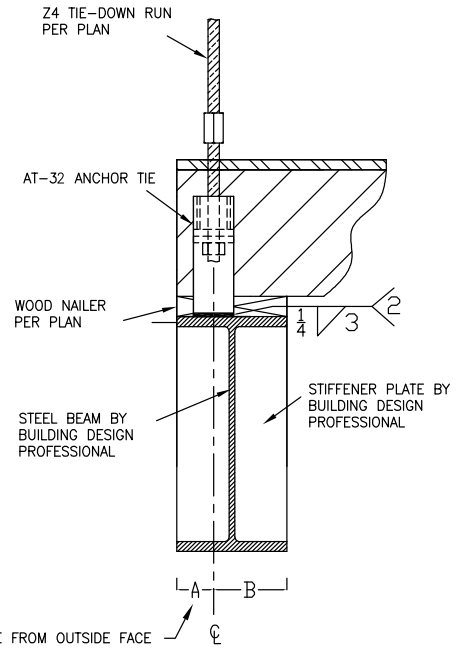
Details with built-up 2x4 and 2x6 member posts are also available

C16



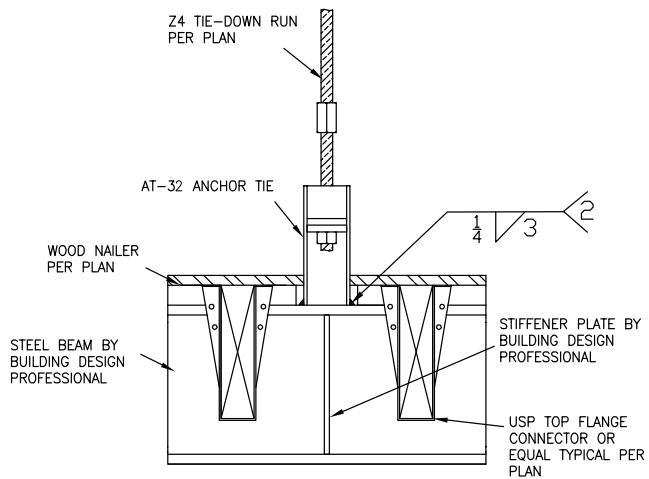
AT-32 ELEVATION @ BEARING JOISTS

C17



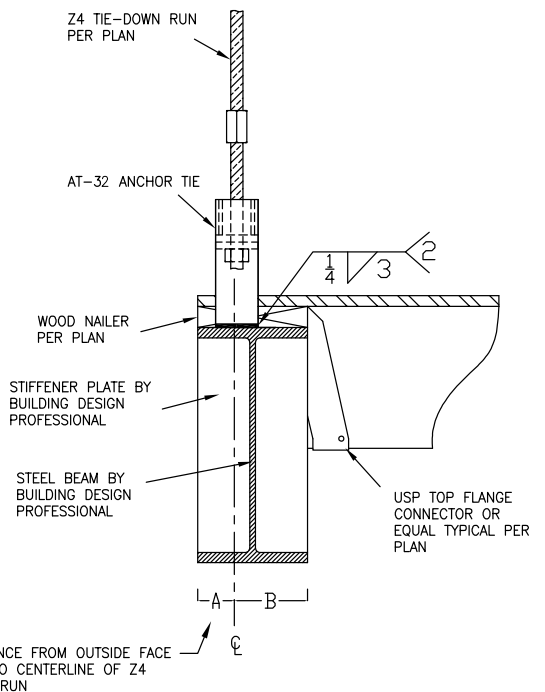
AT-32 SECTION @ BEARING JOISTS

C18



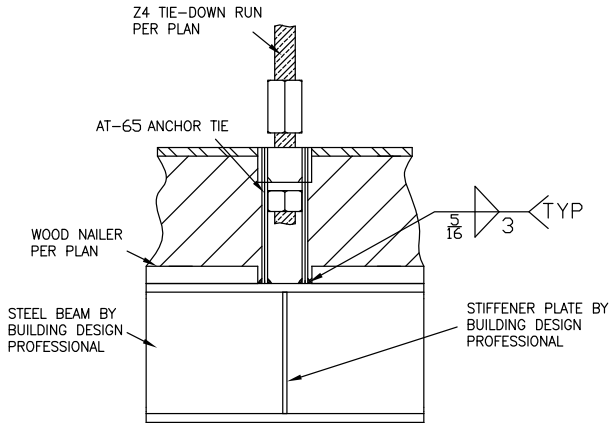
AT-32 ELEVATION @ HANGING JOISTS

C19



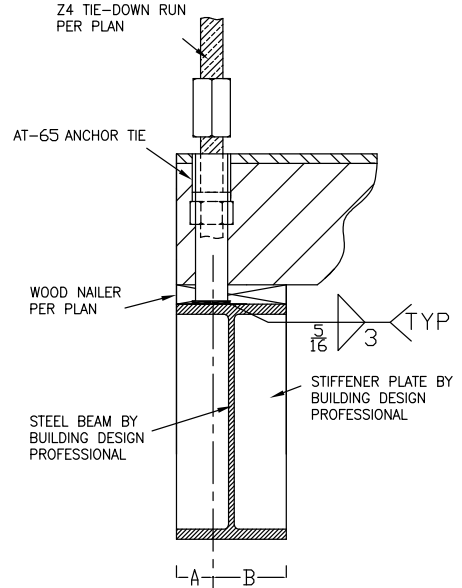
AT-32 SECTION @ HANGING JOISTS

C20



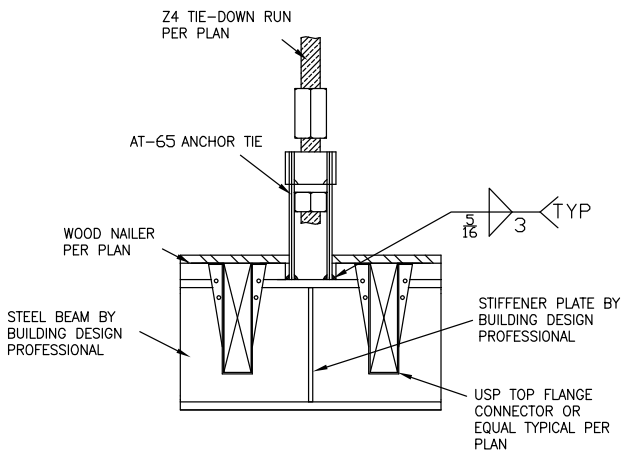
AT-65 ELEVATION @ BEARING JOISTS

C21



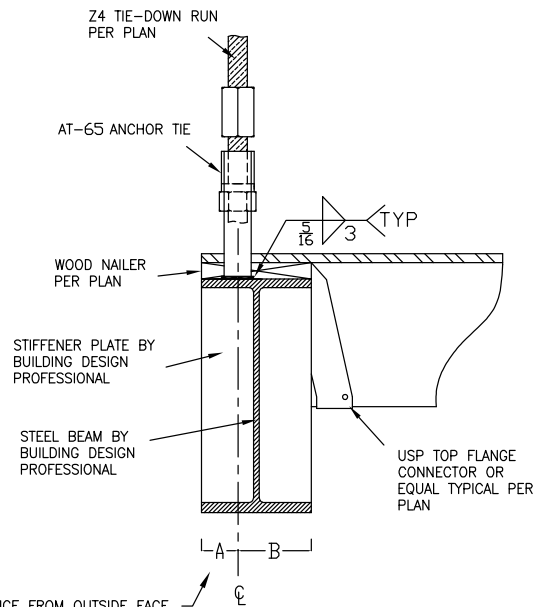
AT-65 SECTION @ BEARING JOISTS

C22



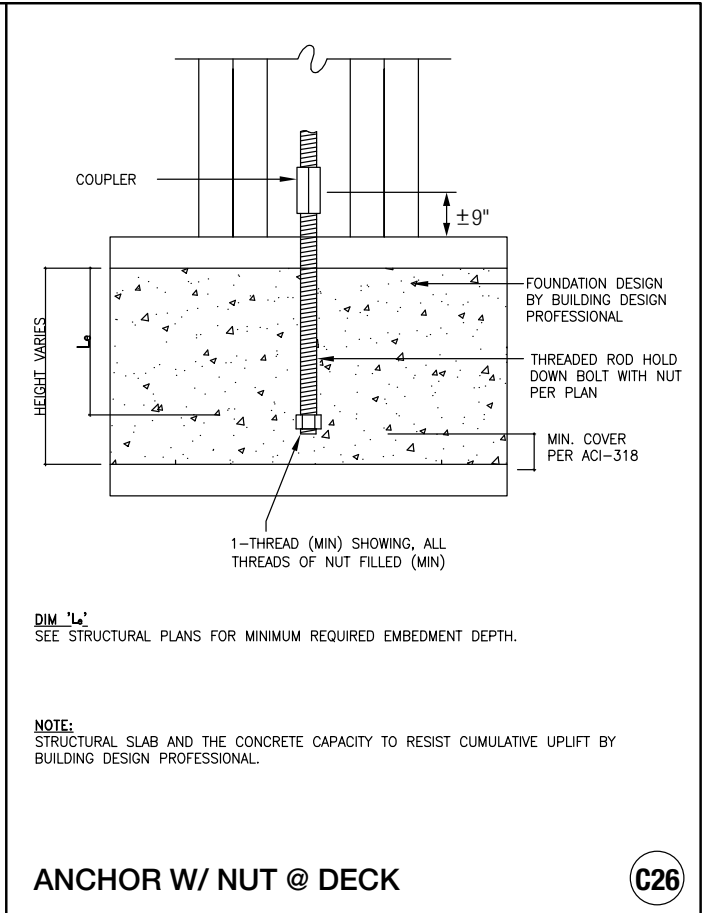
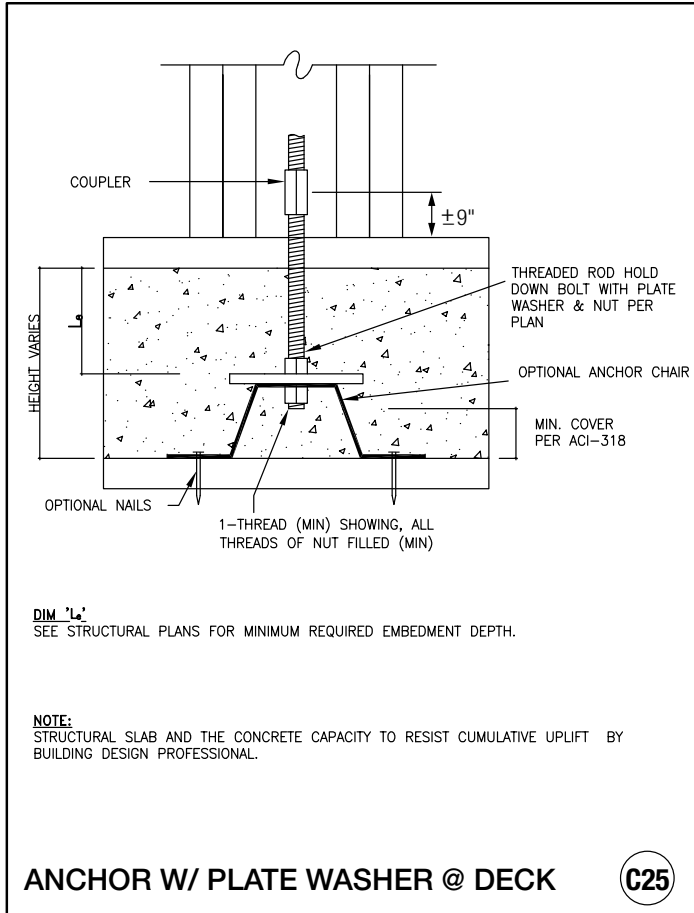
AT-65 ELEVATION @ HANGING JOISTS

C23



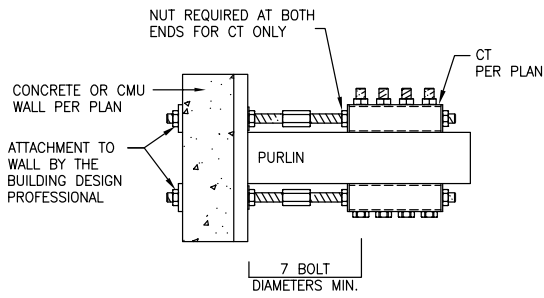
AT-65 SECTION @ HANGING JOISTS

C24

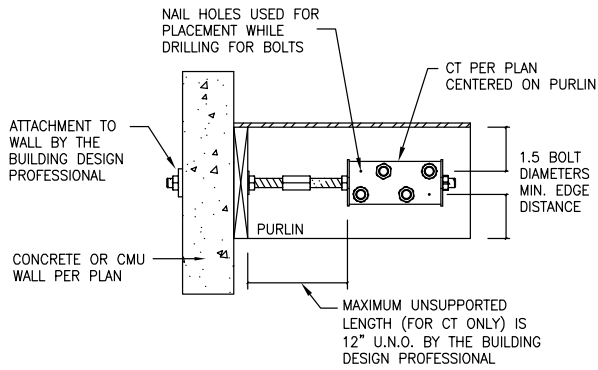


Intentionally  
Left Blank

Intentionally  
Left Blank



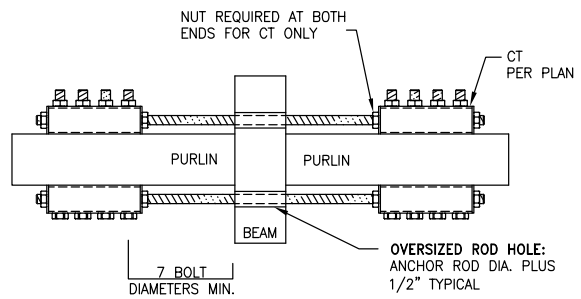
PLAN



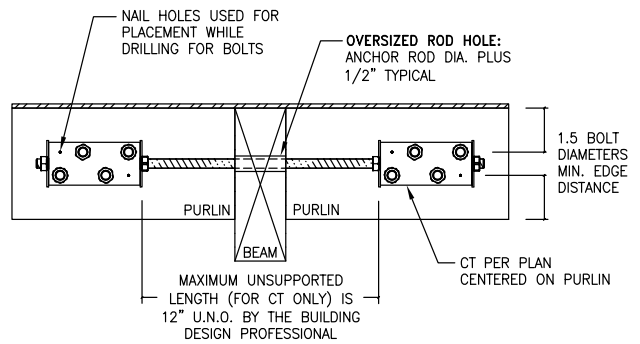
ELEVATION

PAIRED CT - WALL TIE

C27



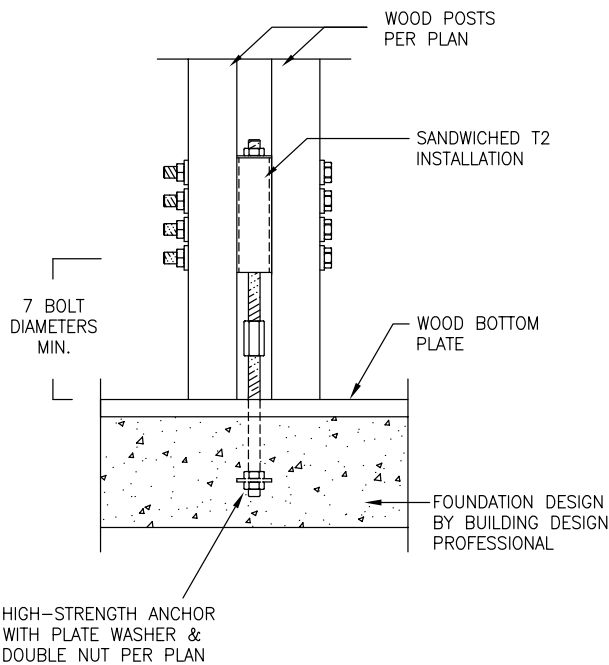
PLAN



ELEVATION

PAIRED CT - PURLIN SPLICE

C28



SANDWICHED T2 - HOLD DOWN

C29

Intentionally Left Blank